



## General Specification

### General

DC48V Track

Indoor IP20

Panel light

### Material

Aluminium Housing

PC Diffuser

### System Driver

(ETL)Non Dimming-Meanwell 5 years

(ETL)1-10V Dimming-Meanwell 5 years

### LED

CREE LED

2700K/3000K/4000K/5000K

L80/60000h; CRI≥80

### Finish Color

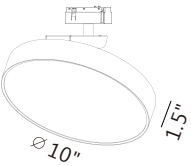
Painting White

Painting Black

## Product Description

Spot LED can be rapidly exchanged and repositioned without tools . Light elements are quick to position and connect automatically with click action. It can be on & off 48V & 1-10V dim (42V), 1-10V dim need to change the adapter. Please order the items tell the dim type in advance.

## PERFORMANCE AT 3000K

 <p>HTE-9481A</p>	Diameter		Input Watts	DTM TYPE
	φ 10"		18W	
	Angle	Efficacy	Lumen Output	1-10v Dim
	110°	60%	1277Lm	

TESTING REPORT FOR HTE-9636B-00 21°

### Luminaire Property

Luminaire Category: LED TRACK LIGHT  
 Lamp Description: CXA1512-18V  
 Lumens per Lamp: 1561  
 Luminous Width (mm):  
 Voltage: 19.4 V  
 Power: 13.60 W

Luminaire Description: HTE-9636B-00  
 Lamp Catalog: LED  
 Number of Lamps: 1  
 Luminous Length (mm):  
 Luminous Height (mm):  
 Current: 0.700 A  
 Power Factor: 1.000

### Photometric Results

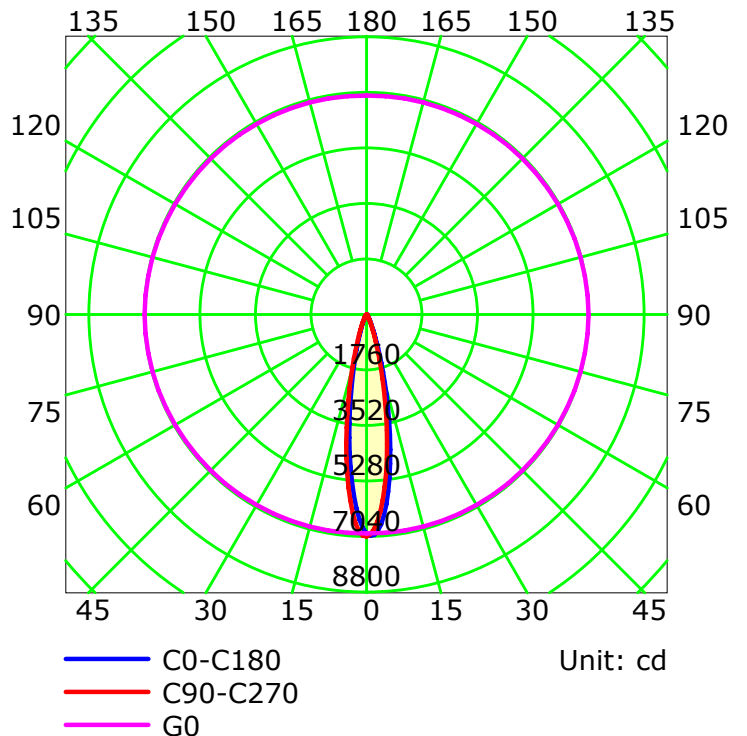
CIE Class: Direct  
 Measurement Flux: 1277 lm  
 Downward Ratio: 81.81%  
 Luminaire Efficacy Rating (LER): 94  
 Max. Intensity: 7038.48 cd

Total Rated Lamp Lumens: 1561.0 lm  
 Efficiency: 81.81%  
 Upward Ratio: 0.00%  
 Central Intensity: 6943.13 cd  
 Pos of Max. Intensity: H90 V0

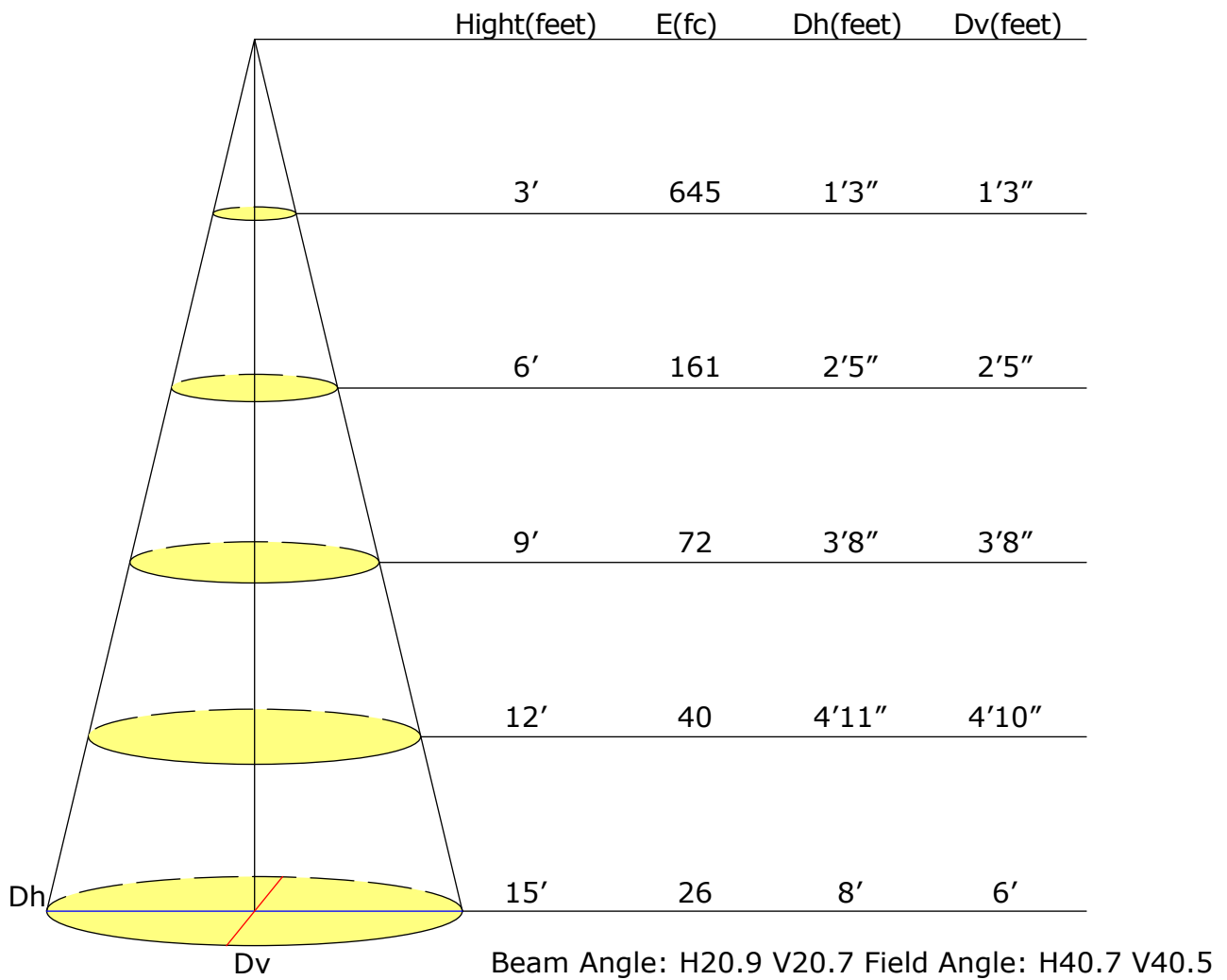
Picture Of Luminaire



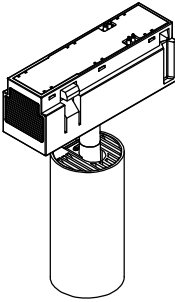
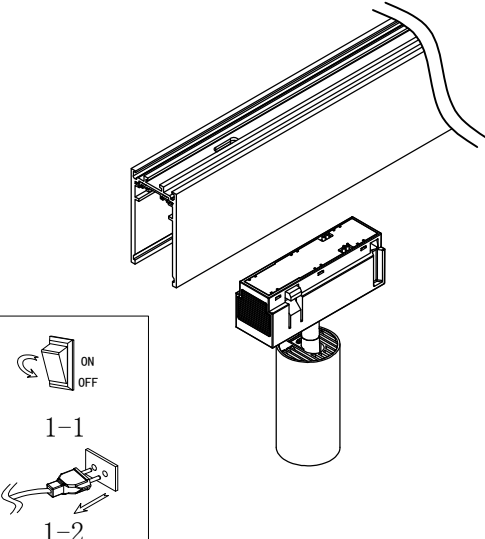
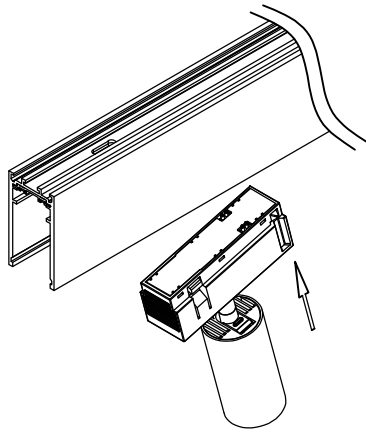
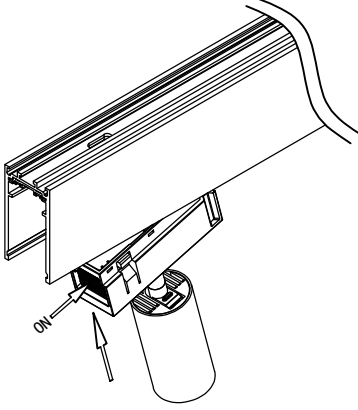
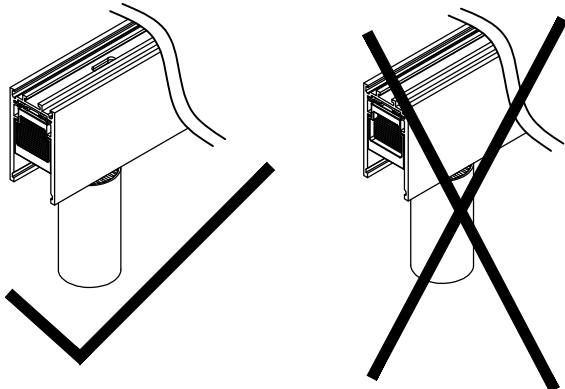
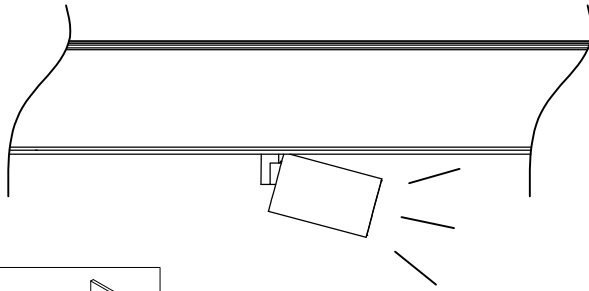
Luminous Intensity Distribution Curve



## Illuminance at a Distance



# Installation instructions

<p>HTE-9311A</p> 	<p>FIG-1</p>  <p>ON OFF</p> <p>1-1</p> <p>1-2</p>
<p>FIG-2</p> 	<p>FIG-3</p>  <p>ON</p>
<p>FIG-4</p> 	<p>FIG-5</p>  <p>ON OFF</p> <p>5-1</p> <p>5-2</p>